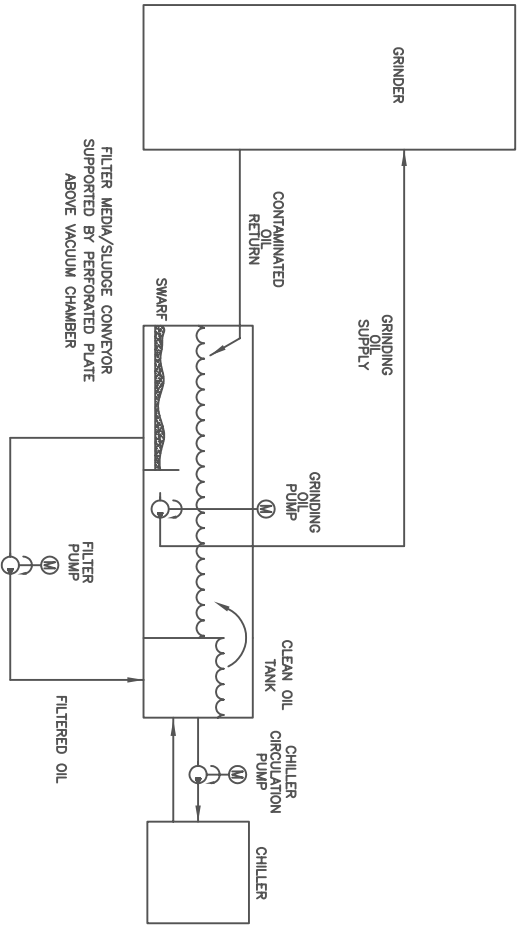
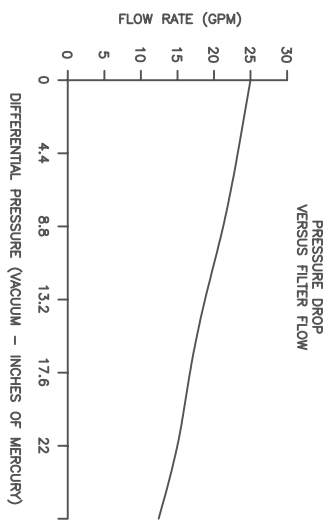
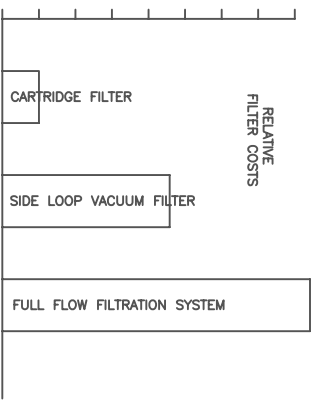


TYPICAL SIDE LOOP CARTRIDGE FILTER FLOW SCHEMATIC



FLOW SCHEMATIC FOR SIDE LOOP VACUUM FILTER



ILLUSTRATIONS FOR "AUTOMATIC VACUUM FILTERS FOR SIDE LOOP CARBIDE GRINDING OIL FILTRATION, AN ECONOMICAL ALTERNATIVE FOR HIGH PRODUCTIVITY."
 POLYTECH FILTRATION SYSTEMS, INC.
 October 2007